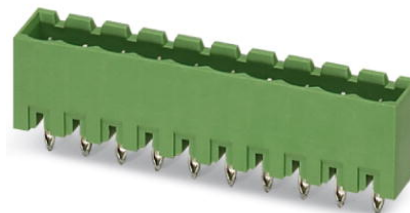


## EMSTBVA 2,5/12-G-5,08

Order No.: 1859616

The figure shows a 10-position version of the product

<http://eshop.phoenixcontact.de/phoenix/treeViewClick.do?UID=1859616>Header, nominal current: 12 A, rated voltage: 200 V, pitch: 5.08 mm,  
no. of positions: 12, mounting: press in

### Commercial data

EAN	4017918133030
Pack	50 Pcs.
Customs tariff	85366990
Weight/Piece	0.00534 KG
Catalog page information	Page 217 (CC-2007)

### Product notes

WEEE/RoHS-compliant since:  
01/01/2003

<http://www.download.phoenixcontact.com>  
Please note that the data given here has been taken from the online catalog. For comprehensive information and data, please refer to the user documentation. The General Terms and Conditions of Use apply to Internet downloads.

### Technical data

#### Dimensions / positions

Pitch	5.08 mm
Dimension a	55.88 mm
Number of positions	12
Pin dimensions	1,7 mm
Hole diameter	1.75 mm

### Technical data

Insulating material group	IIIa
Rated surge voltage (III/3)	4 kV
Rated surge voltage (III/2)	4 kV
Rated surge voltage (II/2)	4 kV
Rated voltage (III/2)	320 V
Rated voltage (II/2)	320 V
Connection in acc. with standard	EN-VDE
Nominal current $I_N$	12 A
Nominal voltage $U_N$	200 V
Maximum load current	12 A
Insulating material	PBT
Inflammability class acc. to UL 94	V0

### Certificates / Approvals



### CUL

Nominal voltage $U_N$	300 V
Nominal current $I_N$	10 A

### UL

Nominal voltage $U_N$	300 V
Nominal current $I_N$	10 A
Certification	CB, CUL, GOST, UL, VDE-PZI

### Accessories

Item	Designation	Description
<b>Assembly</b>		
1877203	EMSTB 2,5-SH	Stamp holder, for upper and lower stamp
1877229	EMSTBVA 2,5-SS-2-5,08	Stamp set, consisting of an upper and lower stamp, upper stamp: 17 to 24-pos., lower stamp: 2 to 24-pos., pitch: 5.08 mm
1755477	MSTB-BL	Keying cap, for forming sections, plugs onto header pin, green insulating material

**Marking**

0804293	SK 5,08/3,8:FORTL.ZAHLEN	Marker card, printed horizontally, self-adhesive, 12 identical decades marked 1-10, 11-20 etc. up to 91-(99)100, sufficient for 120 terminal blocks
---------	--------------------------	---

**Plug/Adapter**

1734401	CR-MSTB	Coding section, inserted into the recess in the header or the inverted plug, red insulating material
---------	---------	--

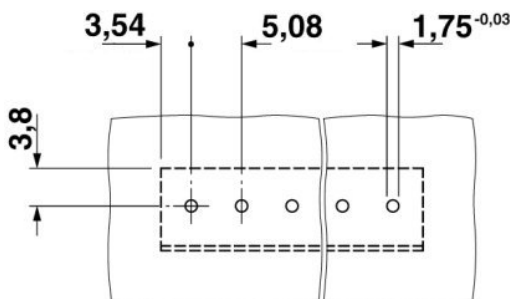
**Additional products**

Item	Designation	Description
<b>General</b>		
1872790	A-ICV 2,5/12-G-5,08	Header, nominal current: 12 A, rated voltage: 250 V, pitch: 5.08 mm, no. of positions: 12, mounting: Mounting rail
1873155	FKC 2,5/12-ST-5,08	Plug component, nominal current: 12 A, rated voltage: 250 V, pitch: 5.08 mm, no. of positions: 12, type of connection: Spring-cage connection
1902217	FKCT 2,5/12-ST-5,08	Plug component, nominal current: 12 A, rated voltage: 250 V, pitch: 5.08 mm, no. of positions: 12, type of connection: Spring-cage connection
1874057	FKCVR 2,5/12-ST-5,08	Plug component, nominal current: 12 A, rated voltage: 250 V, pitch: 5.08 mm, no. of positions: 12, type of connection: Spring-cage connection
1873757	FKCVW 2,5/12-ST-5,08	Plug component, nominal current: 12 A, rated voltage: 250 V, pitch: 5.08 mm, no. of positions: 12, type of connection: Spring-cage connection
1777387	FRONT-MSTB 2,5/12-ST-5,08	Plug component, nominal current: 12 A, rated voltage: 250 V, pitch: 5.08 mm, no. of positions: 12, type of connection: Screw connection
1786501	IC 2,5/12-G-5,08	Header, nominal current: 12 A, rated voltage: 320 V, pitch: 5.08 mm, number of positions: 12, mounting type: soldering
1786048	ICV 2,5/12-G-5,08	Header, nominal current: 12 A, rated voltage: 320 V, pitch: 5.08 mm, number of positions: 12, mounting type: soldering
1757116	MSTB 2,5/12-ST-5,08	Plug component, nominal current: 12 A, rated voltage: 250 V, pitch: 5.08 mm, no. of positions: 12, type of connection: Screw connection
1764280	MSTB 2,5/12-STZ-5,08	Plug component, nominal current: 12 A, rated voltage: 250 V, pitch: 5.08 mm, no. of positions: 12, type of connection: Screw connection
1808913	MSTBC 2,5/12-ST-5,08	Plug component, nominal current: 12 A, rated voltage: 320 V, pitch: 5.08 mm, no. of positions: 12, type of connection: Crimp connection

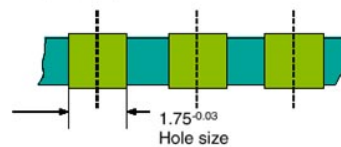
1809608	MSTBC 2,5/12-STZ-5,08	Plug component, nominal current: 12 A, rated voltage: 320 V, pitch: 5.08 mm, no. of positions: 12, type of connection: Crimp connection
1769117	MSTBP 2,5/12-ST-5,08	Plug component, nominal current: 12 A, rated voltage: 250 V, pitch: 5.08 mm, no. of positions: 12, type of connection: Screw connection
1781085	MSTBT 2,5/12-ST-5,08	COMBICON connection plug, 12-pin
1824227	MSTBU 2,5/12-STD-5,08	Plug component, nominal current: 12 A, rated voltage: 320 V, pitch: 5.08 mm, no. of positions: 12, type of connection: Screw connection
1831414	MSTBVK 2,5/12-ST-5,08	Plug component, nominal current: 12 A, rated voltage: 320 V, pitch: 5.08 mm, no. of positions: 12, type of connection: Screw connection
1792346	MVSTBR 2,5/12-ST-5,08	Plug component, nominal current: 12 A, rated voltage: 250 V, pitch: 5.08 mm, no. of positions: 12, type of connection: Screw connection
1792854	MVSTBW 2,5/12-ST-5,08	Plug component, nominal current: 12 A, rated voltage: 250 V, pitch: 5.08 mm, no. of positions: 12, type of connection: Screw connection
1918007	QC 0,75/12-ST-5,08	Plug component, 5.08 mm pitch, color: green, no. of positions 12, dimension a 55.88 mm
1883705	QC 1/12-ST-5,08	Plug, nominal current: 10 A, rated voltage: 500 V, pitch: 5.08 mm, number of positions: 12, connection method: Insulation displacement connection QUICKON
1826380	SMSTB 2,5/12-ST-5,08	Plug component, nominal current: 12 A, rated voltage: 250 V, pitch: 5.08 mm, no. of positions: 12, type of connection: Screw connection
1833917	UMSTBVK 2,5/12-ST-5,08	Plug component, nominal current: 12 A, rated voltage: 320 V, pitch: 5.08 mm, no. of positions: 12, type of connection: Screw connection
1873029	ZFKK 1,5-ICV-5,08	Modular terminal blocks with plug entry, cross section: 0.2 - 1.5 mm <sup>2</sup> , width: 5.1 mm, color: gray

## Drawings

### Drilling diagram



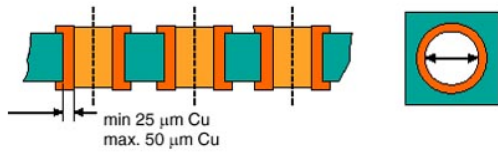
**Bore hole in the basic material,**  
 mostly epoxy glass fabric FR4 or EP-GC



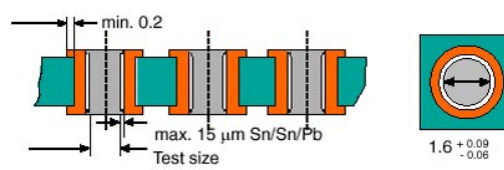
**Bore hole with Cu ferrule**



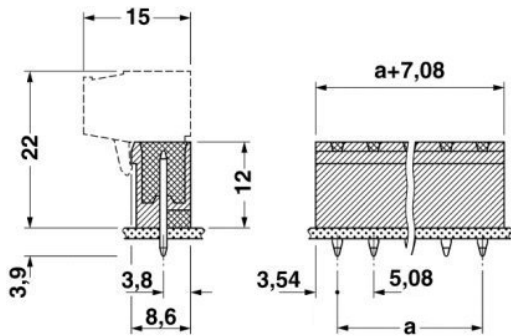
Bore hole with Cu ferrule



Plated-through bore hole with Sn/SnPb



Dimensioned drawing



**Address**

PHOENIX CONTACT Inc., USA  
586 Fulling Mill Road  
Middletown, PA 17057, USA  
Phone (800) 888-7388  
Fax (717) 944-1625  
<http://www.phoenixcon.com>



© 2008 Phoenix Contact  
Technical modifications reserved;